



High-frequency transformer

EF25 Series

Parameters/Dimensions:

EF25 Type 1

Information:

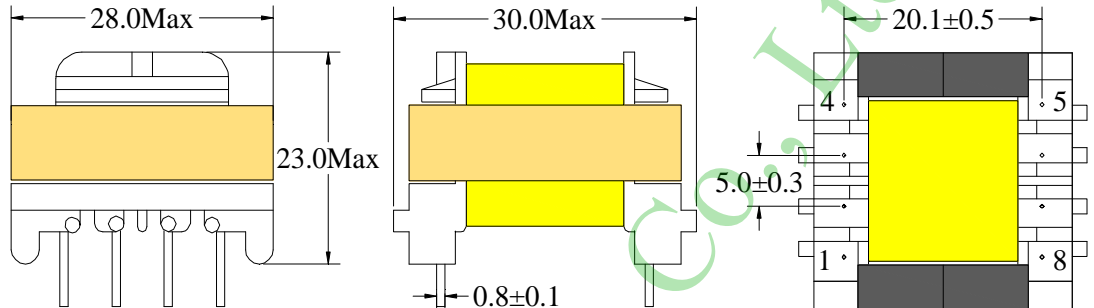
Shape:EF25

1 Power:45-66W

2 Mounting Orientation: Horizontal

3 Size: 28 (W) * 30(L) * 23 (H)

4 Effective Ae (mm2): 51.8-77.43



EF25 Type 2

Information:

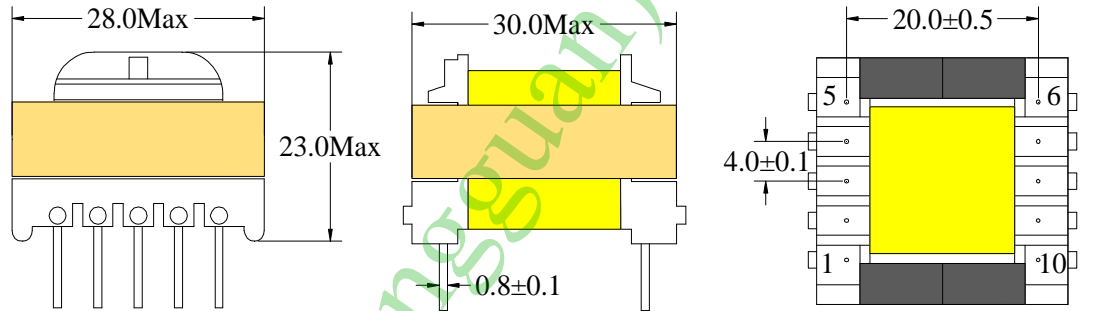
Shape:EF25

1 Power:45-66W

2 Mounting Orientation: Horizontal

3 Size: 28 (W) * 30(L) * 23 (H)

4 Effective Ae (mm2): 51.8-77.43



EF25 Type 3

Information:

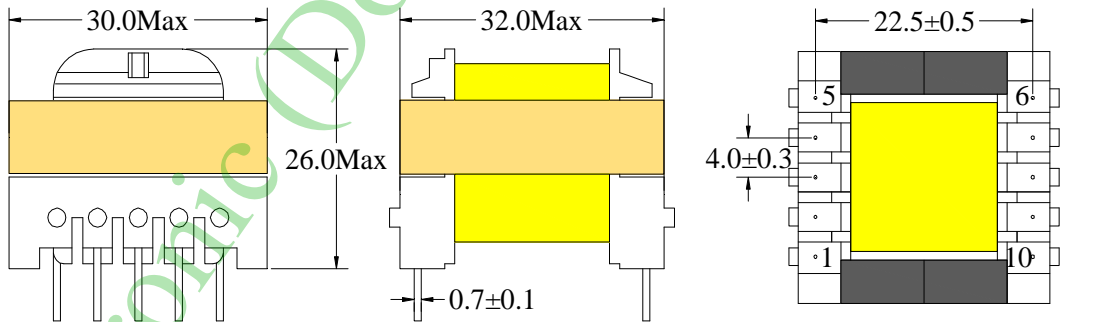
Shape:EF25

1 Power:45-66W

2 Mounting Orientation: Horizontal

3 Size: 30 (W) * 32(L) * 26(H)

4 Effective Ae (mm2): 51.8-77.43



EF25 Type 4

Information:

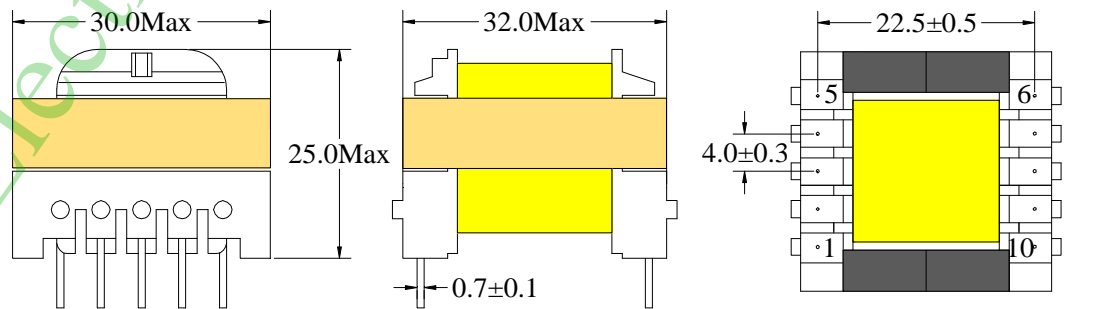
Shape:EF25

1 Power:45-66W

2 Mounting Orientation: Horizontal

3 Size: 30 (W) * 32(L) * 25(H)

4 Effective Ae (mm2): 51.8-77.43



EF25 Type 5

Information:

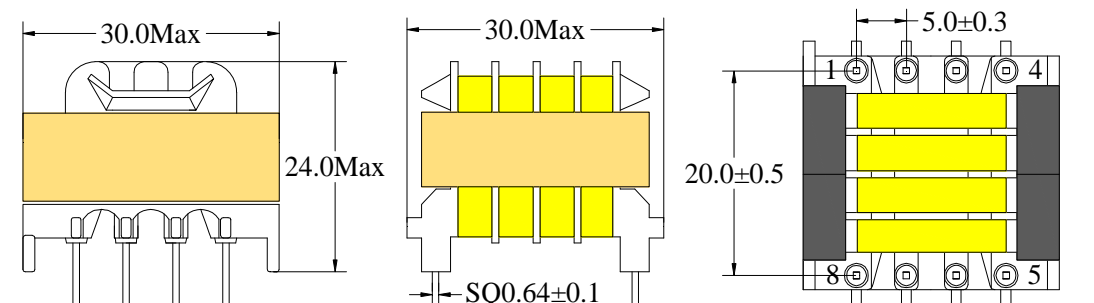
Shape:EF25

1 Power:45-66W

2 Mounting Orientation: Horizontal

3 Size: 30 (W) * 30(L) * 24(H)

4 Effective Ae (mm2): 51.8-77.43





High-frequency transformer

EF25 Series

Parameters/Dimensions:

EF25 Type 6

Information:

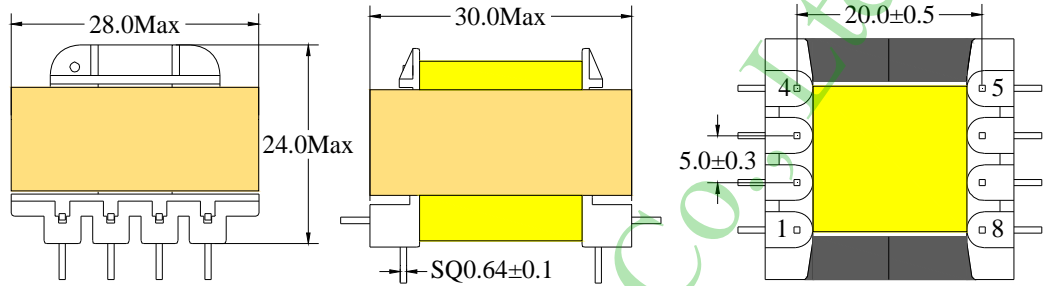
Shape:EF25

1 Power:45-66W

2 Mounting Orientation: Horizontal

3 Size: 28 (W) * 30(L) * 24(H)

4 Effective Ae (mm2): 51.8-77.43



EF25 Type 7

Information:

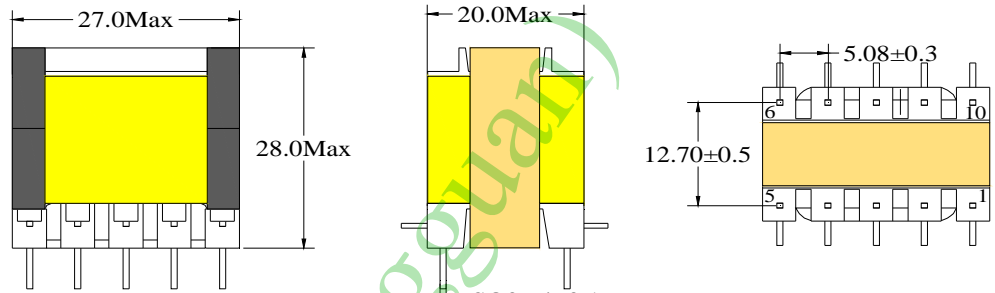
Shape:EF25

1 Power:45-66W

2 Mounting Orientation: Vertical

3 Size: 27 (W) * 20(L) * 28(H)

4 Effective Ae (mm2): 51.8-77.43



EF25 Type 8

Information:

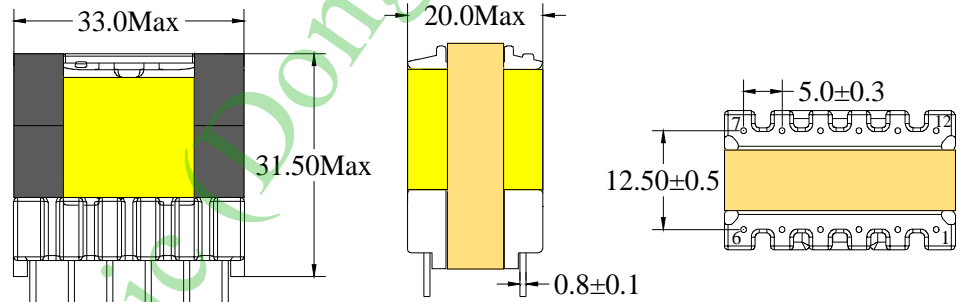
Shape:EF25

1 Power:45-66W

2 Mounting Orientation: Vertical

3 Size: 33 (W) * 20(L) * 31.5(H)

4 Effective Ae (mm2): 51.8-77.43



EF25 Type 9

Information:

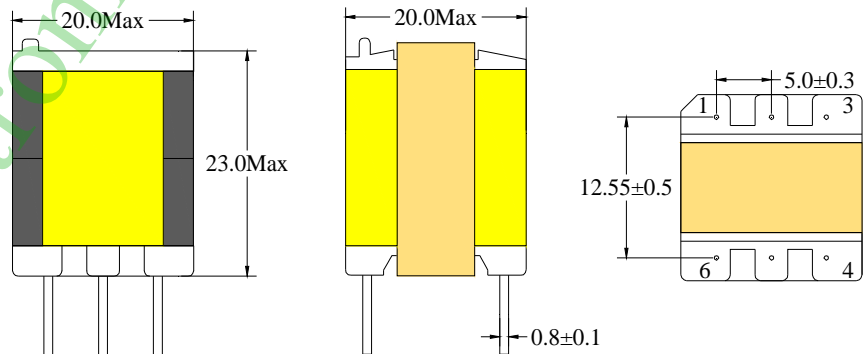
Shape:EF25

1 Power:45-66W

2 Mounting Orientation: Vertical

3 Size: 20 (W) * 20(L) * 23(H)

4 Effective Ae (mm2): 51.8-77.43



Note:

Bobbin type listed in the traditional style, transformer design parameters to customer needs or to inject prevail.

EF series high-frequency transformer features:

Lead space, easy winding wire. Applicable to a wide range of high frequency, wide operating voltage range, output power, good thermal stability.

Uses:

Program-controlled switches are widely used in power supplies, LCD power supply, UPS power inverter power supply, computer power, energy-saving lamps and other fields.