



High-frequency Transformer

PQ2623 Series

Parameters/Dimensions:

PQ2623 Type 1

Information:

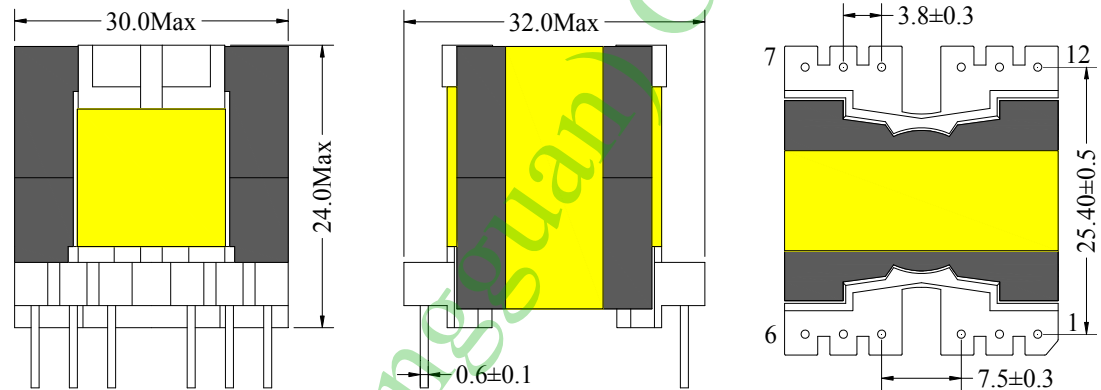
Shape: PQ2623

1 Power: 100W

2 Mounting Orientation: Vertical

3 Size: 30(W) * 32(L) * 24 (H)

4 Effective Ae (mm²): 119



Note:

Bobbin type listed in the traditional style, transformer design parameters to customer needs or to inject prevail.

PQ series high-frequency transformer features:

Low loss, low temperature, anti-jamming performance, reasonable shape, large power range (40W-600W), can effectively reduce installation size, with multiple pins to facilitate wound wiring. Low assembly cost, easy to meet safety requirements, but standardization than the southern.

Uses:

Main power transformers, drive transformers, smoothing chokes, auxiliary power transformer. Mainly used in networking, communications, power, electrical equipment, medical and other fields.