

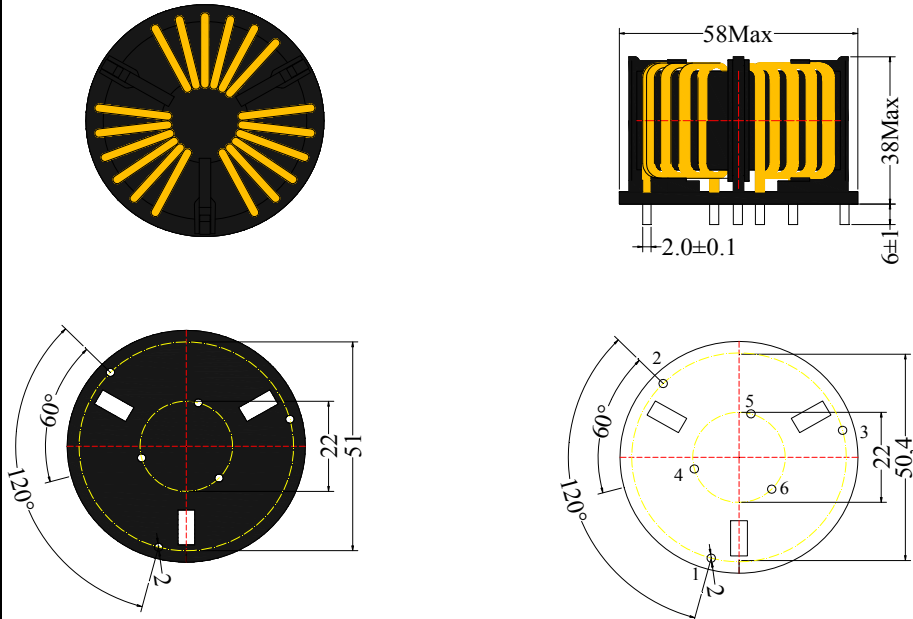


PZ-TCM403H Series

Amorphou Common Mode Power Line Choke
 Web: <http://www.dgpinzhan.com>
 E-mail: sale@dgpinzhan.com

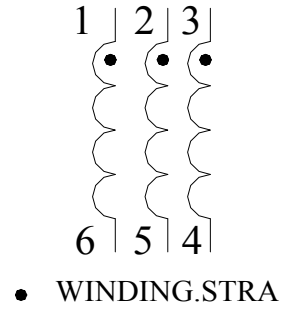
Created	Checked	Type	Date	Version	Page
Tom	Justin	DIP	2019/12/5	A001	1

1. Dimensions: [mm]



Pin1 white dot mark

2. Schematic:



3. General Properties:

It is recommended that the temperature of the component does not exceed +125°C under worst case conditions.

Storage Temperature:	-20 °C up to +60 °C
Operating Temperature:	-40 °C up to +125 °C

Temperature Rise < 55K.
 Test conditions of Electrical Properties: +20°C, 33% RH if not specified differently.

4. Electrical Properties:

Part Code	Inductance (mH) ±30%	Test conditions	DC-Resistance (mΩ)	Rated Current (A)	Diameter D(mm)	Hi-pot
PZ-TCM403H-502M	5*3	10KHZ/0.25V	3.8mΩ Max	22A Max	2.00	2000Vrms
PZ-TCM403H-702M	7*3	10KHZ/0.25V	8.5mΩ Max	20A Max	1.80	2000Vrms
PZ-TCM403H-103M	10*3	10KHZ/0.25V	9.2mΩ Max	15A Max	1.70	2000Vrms
PZ-TCM403H-153M	15*3	10KHZ/0.25V	12.5mΩ Max	10A Max	1.60	2000Vrms
PZ-TCM403H-203M	20*3	10KHZ/0.25V	19mΩ Max	9A Max	1.50	2000Vrms
PZ-TCM403H-253M	25*3	10KHZ/0.25V	25.2mΩ Max	6A Max	1.40	2000Vrms
PZ-TCM403H-303M	30*3	10KHZ/0.25V	38.5mΩ Max	4A Max	1.30	2000Vrms

*** Acceptable customers design custom**